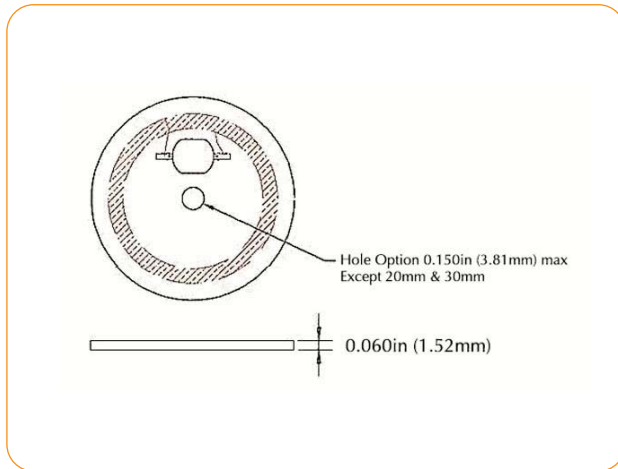


Coins



Your products, our capabilities, uncompromised quality – it's that simple!

These coin-shaped tags are laminated in rugged PVC plastic. Typical uses include pallet and tote tagging or other asset management applications.

As a contract manufacturer, our goal is to provide complete, cost effective RFID solutions for you. From wafer to finished tag, SMARTRAC works as your manufacturing partner – producing your product under your brand – in small to large volumes.

COIN OPTIONS

- Center hole for mounting
- Pre-printed with your supplied artwork
- Laminated in PVC plastic
- 20mm and 30mm standard sizes available
- Custom shapes available upon request
- 125kHz, 13.56MHz, and 900MHz
- Most commonly used chips available

Performance of this product may vary depending on the customer's application and use.

© 2008 Smartrac N.V.
All rights reserved. Reproduction in whole or in part is prohibited without the prior written consent of the copyright owner. The information presented in this document does not form part of any quotation or contract, is believed to be accurate and reliable and may be changed without notice. No liability will be accepted by the publisher for any consequence of its use. SMARTRAC reserves the right to change any information or data in this document without prior notice. SMARTRAC disclaims all warranties, express or implied, that this product is merchantable or suitable for customer's intended purpose.

